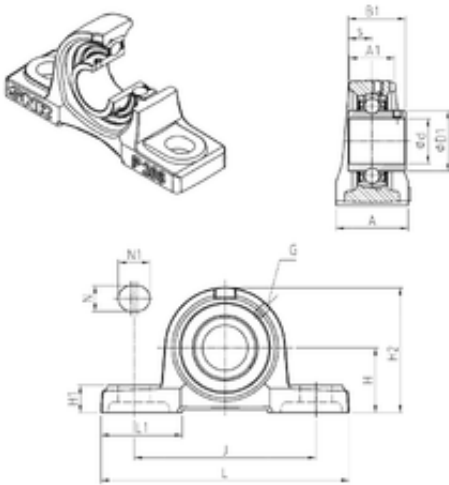




Air Suspension Bearing Co., Ltd



UCP313 Bearing 2D drawings and 3D CAD models

SNR UCP313 bearing units

Bearing No. UCP313

Bore Diameter	65 mm
d	65 mm
s	30 mm
A	90 mm
A1	57 mm
B1	75 mm
D1	87,5 mm
H	90 mm
H1	33 mm
H2	176 mm
J	260 mm
L	340 mm
L1	105 mm
N	25 mm
N1	38 mm
Thread (G)	M6x1
Weight	11,2 Kg
Basic dynamic load rating (C)	93,86 kN