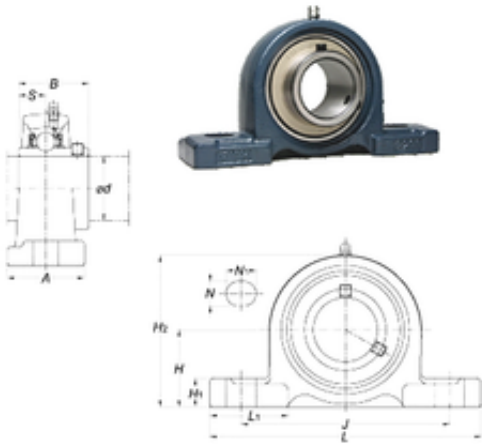




Air Suspension Bearing Co., Ltd

FYH UCP215-47 bearing units

Bearing No. UCP215-47



UCP215-47 Bearing 2D drawings and 3D CAD models

Bore Diameter	74,6125 mm
Width	77,8 mm
d	74,6125 mm
A	74 mm
B	77,8 mm
H	82,6 mm
H1	28 mm
H2	162 mm
J	217 mm
L	275 mm
L1	80 mm
N	25 mm
N1	30 mm
S	33,3 mm
Bolt (G)	M20
Weight	7,4 Kg
Basic dynamic load rating (C)	67,4 kN
Basic static load rating (C0)	48,3 kN