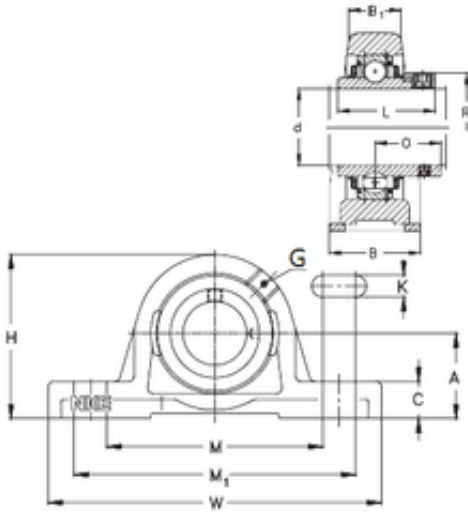




# Air Suspension Bearing Co., Ltd



PASE20-N Bearing 2D drawings and 3D CAD models

## NKE PASE20-N bearing units

Bearing No. PASE20-N

Bore Diameter	20 mm
Width	32 mm
d	20 mm
O	23,5 mm
A	33,3 mm
B	32 mm
B1	19 mm
C	14,5 mm
H	64 mm
K	11 mm
L	31 mm
M	89,5 mm
M1	105 mm
R	33 mm
W	130 mm
Thread (G)	R1/8 "