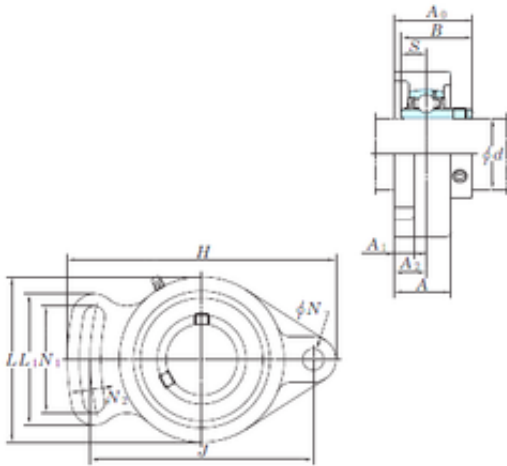




Air Suspension Bearing Co., Ltd



KOYO UCFA207 bearing units

Bearing No. UCFA207

Bore Diameter	35 mm
d	35 mm
A0	44 mm
A	34 mm
A1	14 mm
B	42,9 mm
H	155 mm
J	130 mm
L	96 mm
L1	75 mm
N	13 mm
N1	63 mm
S	17,5 mm
Bolt (G)	M12
A2	18,6 mm
N2	13 mm
Weight	1,5 Kg
Basic dynamic load rating (C)	25,7 kN
Basic static load rating (C0)	15,4 kN

UCFA207 Bearing 2D drawings and 3D CAD models