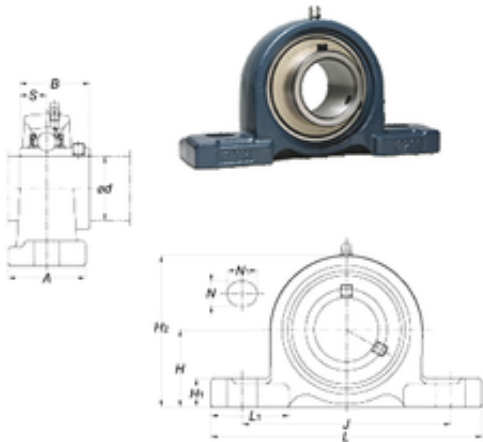




# Air Suspension Bearing Co., Ltd

## FYH UCP209 bearing units



Bearing No. UCP209

Bore Diameter	45 mm
Width	49,2 mm
d	45 mm
A	54 mm
B	49,2 mm
H	54 mm
H1	17 mm
H2	106 mm
J	146 mm
L	190 mm
L1	60 mm
N	17 mm
N1	21 mm
S	19 mm
Bolt (G)	M14
Weight	2,2 Kg
Basic dynamic load rating (C)	34,1 kN
Basic static load rating (C0)	21,3 kN
Category	Mounted Units & Inserts
Inventory	0.0
Manufacturer Name	FYH BEARING UNITS
Minimum Buy Quantity	N/A
Weight / Kilogram	0
Product Group	M06110

UCP209 Bearing 2D drawings and 3D CAD models