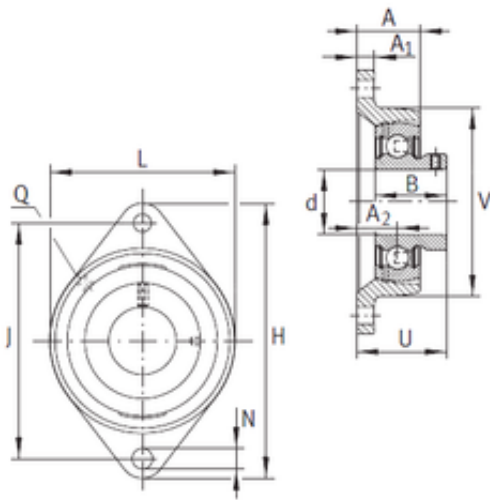




Air Suspension Bearing Co., Ltd



PCJTY17 Bearing 2D drawings and 3D CAD models

INA PCJTY17 bearing units

Bearing No. PCJTY17

Bore Diameter	17 mm
d	17 mm
V	57 mm
U	33 mm
Thread (Q)	M6
A	25 mm
A1	9,5 mm
B	22 mm
H	99 mm
J	76,5 mm
L	57 mm
N	11,5 mm
A2	17 mm
Weight	0,33 Kg
Basic dynamic load rating (C)	9,8 kN
Category	Flange Block Bearings
Inventory	2.0
Manufacturer Name	SCHAEFFLER GROUP
Minimum Buy Quantity	N/A
Weight / Kilogram	0.4
EAN	4012802823356
Product Group	M06110
Number of Mounting Holes	2
Mounting Method	Set Screw
Housing Style	2 Bolt Flange Block
Rolling Element	Ball Bearing



Air Suspension Bearing Co., Ltd

Housing Material	Cast Iron
Expansion / Non-expansion	Non-expansion
Mounting Bolts	11.5 Millimeter
Relubricatable	Yes
Insert Part Number	GAY17NPPB
Seals	Double Lip Contact
Housing Configuration	1 Piece Solid
Pilot Configuration	No Pilot
Inch - Metric	Metric
Long Description	2 Bolt Flange Block; 17MM Bore; 76MM Bolt Circle; 76.5MM Bolt Spacing; 1 Piece Solid; Set Screw Mount; Cast Iron; Ball Bearing; 22MM Length Thru Bore; Relubricatable; Double Lip Contact Seals
Other Features	Single Row With Grub Screw
Category	Flange Block
UNSPSC	31171501
Harmonized Tariff Code	8483.20.40.40
Noun	Bearing
Keyword String	Flanged
Manufacturer URL	http://www.ina.com
Manufacturer Item Number	PCJTY17
Weight / LBS	0.882
Cartridge Pilot Diameter	0 Inch 0 Millimeter
Cartridge Pilot Depth	0 Inch 0 Millimeter
Length Thru Bore	0.866 Inch 22 Millimeter
Bore	0.669 Inch 17 Millimeter
Nominal Bolt Circle Diameter Round	3 Inch 76 Millimeter
Bolt Spacing	3.012 Inch 76.5 Millimeter