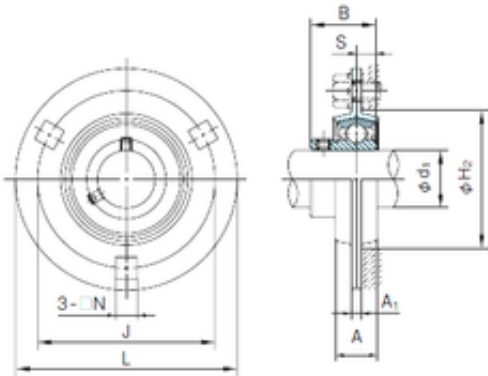




Air Suspension Bearing Co., Ltd

NACHI BPF5 bearing units

Bearing No. BPF5



BPF5 Bearing 2D drawings and 3D CAD models

Bore Diameter	25 mm
Width	27 mm
d	25 mm
A	18 mm
A1	4 mm
B	27 mm
H2	60 mm
J	76 mm
L	95 mm
N	9 mm
S	7.5 mm
Bolt (G)	M8