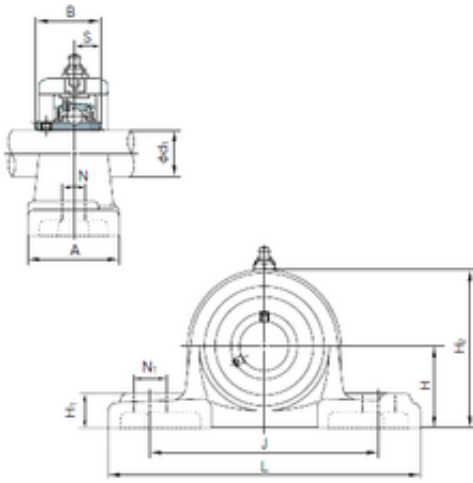




# Air Suspension Bearing Co., Ltd

## NACHI UCEP208 bearing units

Bearing No. UCEP208



UCEP208 Bearing 2D drawings and 3D CAD models

Bore Diameter	40 mm
Width	49.2 mm
d	40 mm
A	67 mm
B	49.2 mm
H	58.7 mm
H1	26 mm
H2	116 mm
J	156 mm
L	222 mm
N	20 mm
N1	24 mm
S	19 mm
Bolt (G)	M16