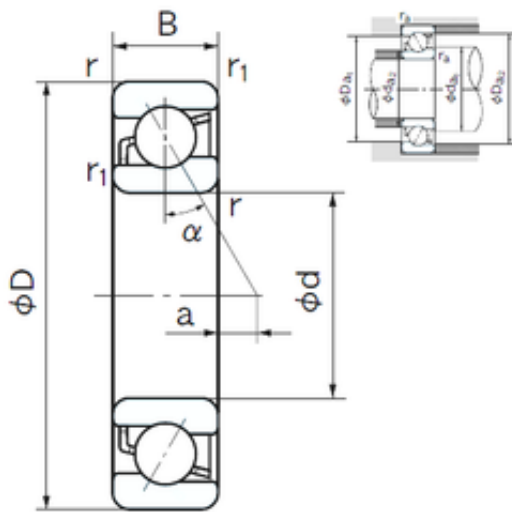




## Air Suspension Bearing Co., Ltd



### 60 mm x 130 mm x 31 mm NACHI 7312 angular contact ball bearings

Bearing No. 7312

7312 Bearing 2D drawings and 3D CAD models

Size	60x130x31 mm
Bore Diameter	60 mm
Outer Diameter	130 mm
Width	31 mm
d	60 mm
D	130 mm
B	31 mm
C	31 mm
Angle ( ° )	30 °
a	11.9 mm
r min.	2.1 mm
r1 min.	1.1 mm
da min.	72 mm
Da max.	118 mm
ra max.	2 mm
Weight	1.81 Kg
Basic dynamic load rating (C)	98 kN
Basic static load rating (C0)	71,5 kN
(Grease) Lubrication Speed	4800 r/min
Configuration	Single Row
Enclosure	Open
Bore Type	Cylindrical Bore
Bore Size	60 mm
Outside Diameter	130 mm
Width	31 mm



## Air Suspension Bearing Co., Ltd

Fillet Radius/Chamfer	2.1 mm
r1	1.1 mm
Dynamic Load Rating	98,000 N
Static Load Rating	71,500 N
Limiting Speed - Grease	4,800 rpm
Limiting Speed - Oil	6,300 rpm
da1 (min)	72 mm
da2 (min)	67 mm
Da1 (max)	118 mm
Da2 (max)	123 mm
ra (max)	2 mm
ra1 (max)	1 mm