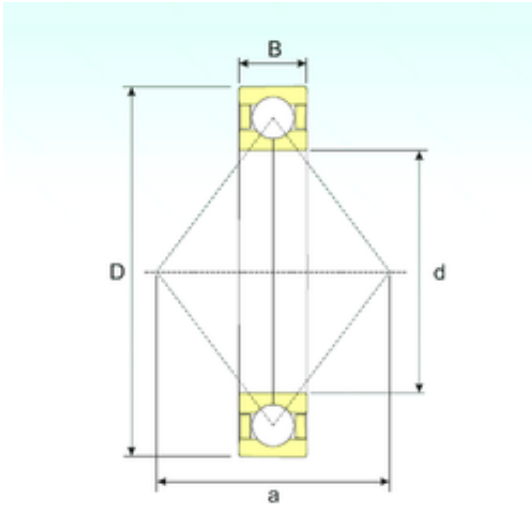




Air Suspension Bearing Co., Ltd



260 mm x 360 mm x 46 mm ISB QJ 1952 N2
angular contact ball bearings

Bearing No. QJ 1952 N2

Size	260x360x46 mm
Bore Diameter	260 mm
Outer Diameter	360 mm
Width	46 mm
d	260 mm
D	360 mm
B	46 mm
C	46 mm
a	217 mm
Weight	15 Kg
Basic dynamic load rating (C)	390 kN
Basic static load rating (C0)	510 kN
(Grease) Lubrication Speed	1000 r/min

QJ 1952 N2 Bearing 2D drawings and 3D CAD models