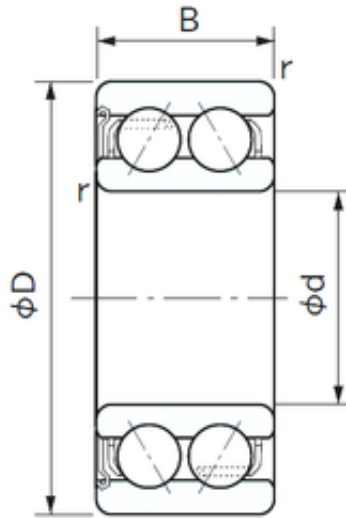




## Air Suspension Bearing Co., Ltd



17 mm x 40 mm x 17.5 mm NACHI 5203AZ  
angular contact ball bearings

Bearing No. 5203AZ

Size	17x40x17.5 mm
Bore Diameter	17 mm
Outer Diameter	40 mm
Width	17.5 mm
d	17 mm
D	40 mm
B	17.5 mm
C	17.5 mm
Angle ( ° )	20 °
r min.	0.6 mm
Weight	0.090 Kg
Basic dynamic load rating (C)	14,2 kN
Basic static load rating (C0)	8,8 kN
(Grease) Lubrication Speed	11000 r/min

5203AZ Bearing 2D drawings and 3D CAD models